

Timetric



630A 3 Phase Vacuum Circuit Breaker

You are welcomed to come to our factory to buy the latest selling, low price, and high-quality Timetric 630A 3 Phase Vacuum Circuit Breaker. We control the product quality critically for each step during the manufacturing. We offer technical support that is second to none. We believe that our staffs will continue to forge ahead and achieve win-win goal with all walks of life in the developing future.

Product Description

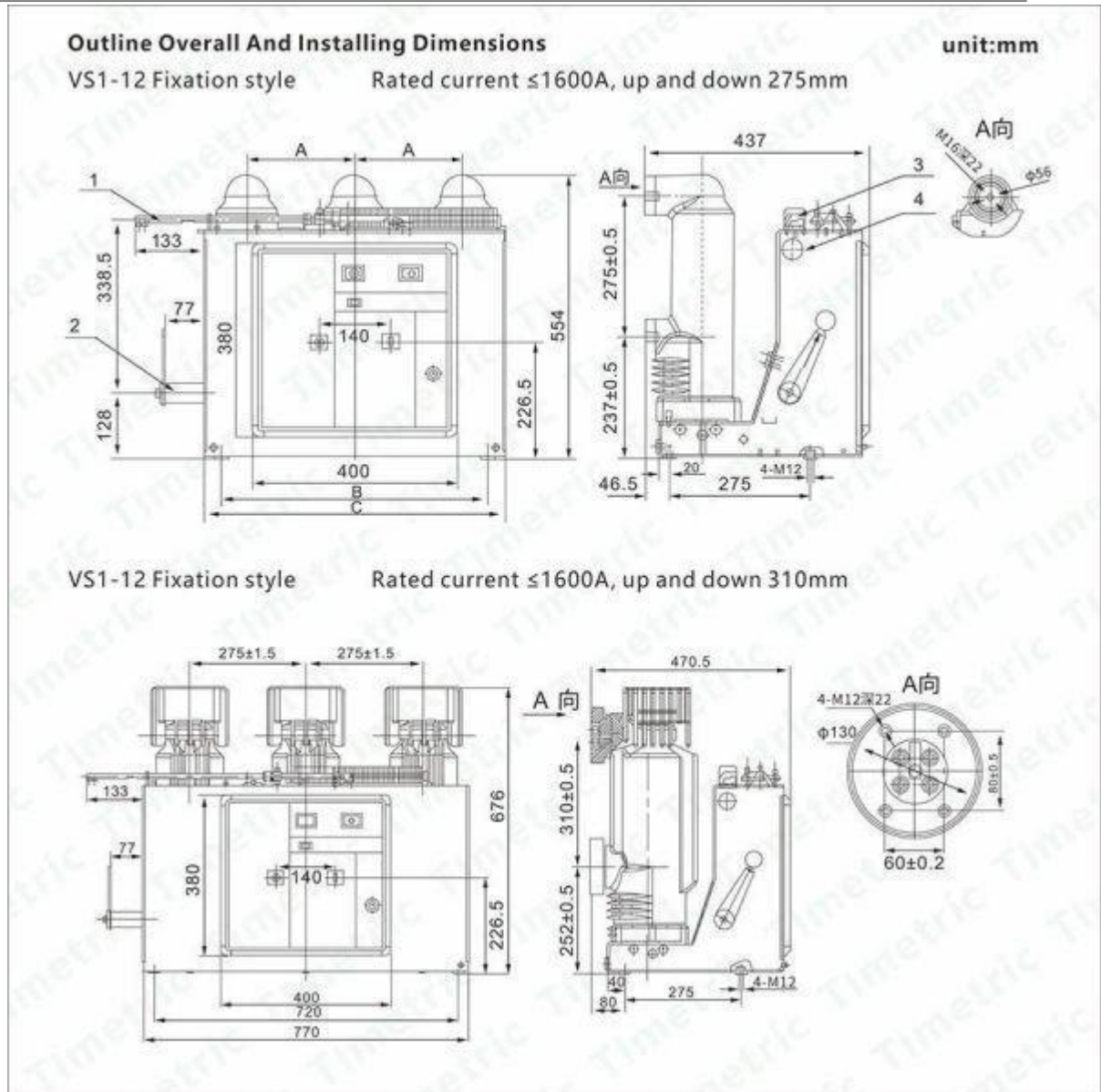
You are welcomed to come to our factory to buy the latest selling, low price, and high-quality Timetric 630A 3 Phase Vacuum Circuit Breaker. "630A 3 Phase Vacuum Circuit Breaker" its characteristics are: support mechanism support has three vacuum arc extinguishing chamber, in the vacuum arc extinguishing chamber and support mechanism is also equipped with soft connection, between the support mechanism and the mechanism box equipped with operating mechanism, operating mechanism and vacuum arc extinguishing chamber adopts the form of before and after arrangement, vacuum arc extinguishing chamber longitudinal installed in a tubular insulation cylinder.



Colour	Silver gray、 Red
Shape	Combination
Size	customized
Rated Voltage	12/24KV
Rated Current	630A, 1250A,2000A,3150A,4000A
Number Of Poles	3

Wenzhou Shuyi Import and Export Co., Ltd.
 Phone:+86-13736382016
 E-mail:timetric8@gmail.com

Characteristic	Safe and Stable
Material	Iron, Red copper, Epoxy resin
Surface Treatment	Plastic spraying



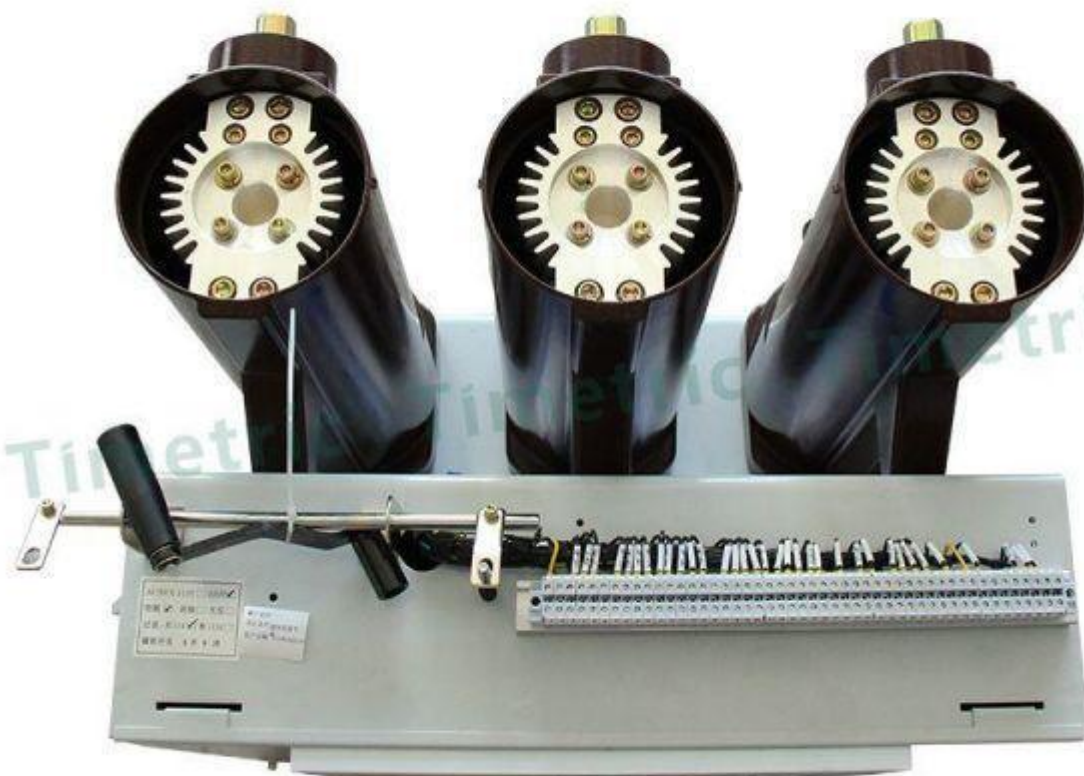
"630A 3 Phase Vacuum Circuit Breaker" has the advantages of simple structure and large short-circuit current breaking capacity. In the selection of longitudinal magnetic field contacts, reliable short-circuit current breaking can be up to 80 kA, and the disc-shaped contact surface is accepted evenly. High insulation strength, in a stable state, vacuum

chamber vacuum degree is less than 109 bar, 6-20 mm contact opening is enough to ensure the insulation strength of the vacuum arc extinguishing chamber. The cut-off value is small. By optimizing the cu-Cr material, the average cut-off value is less than 4 am. the contact burn loss is small and the life is long. The contact resistance is small, and the contact material with good conductive performance is used to ensure the minimum contact resistance. The contact resistance value between the two conductive rods in the vacuum arc extinguishing chamber is 8 ~ 15 microohms, so the temperature rise is also low. Vacuum seal is good, using a sealing process, welding quality is reliable and the joint will not aging. High reliability, long life, no explosion risk, suitable for power plant, substation and other power distribution system control or protection, especially suitable for opening and closing capacitor banks and important load and frequent operation occasions.

Timetric

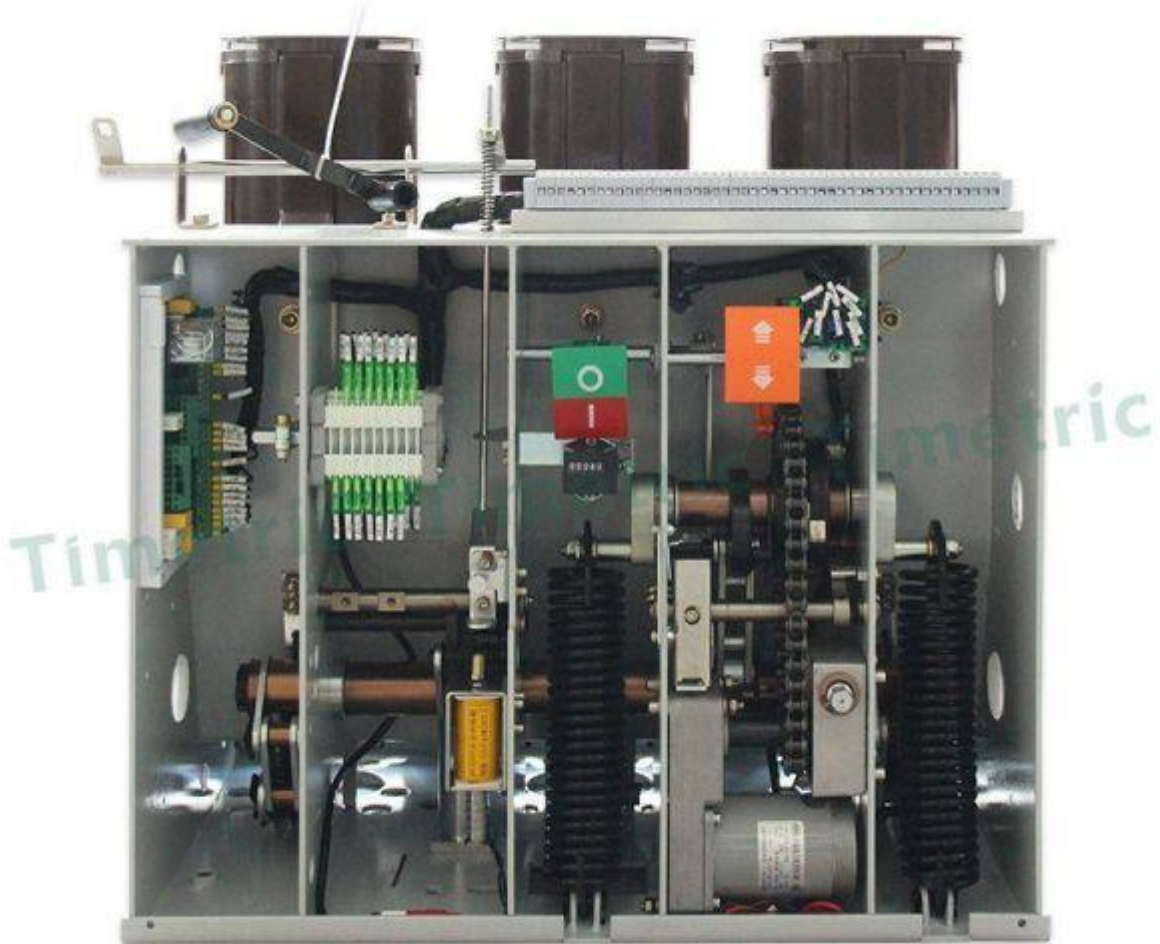
www.timetricele.com

Timetric



Wenzhou Shuyi Import and Export Co., Ltd.
Phone:+86-13736382016
E-mail:timetric8@gmail.com

Timetric



What is the product warranty?

We warranty our materials and workmanship. Our commitment is to your satisfaction with our products. In warranty or not, it is the culture of our company to address and resolve all customer issues to everyone's satisfaction

Do you guarantee safe and secure delivery of products?

Yes, we always use high quality export packaging. We also use specialized hazard packing for dangerous goods and validated cold storage shippers for temperature sensitive items. Specialist packaging and non-standard packing requirements may incur an additional charge.

How about the shipping fees?

The shipping cost depends on the way you choose to get the goods. Express is normally the most quickest but also most expensive way. By seafreight is the best solution for big amounts. Exactly freight rates we